

BLACKMER PARTS LIST

PUMP MODELS: MLN4B, MRLN4B

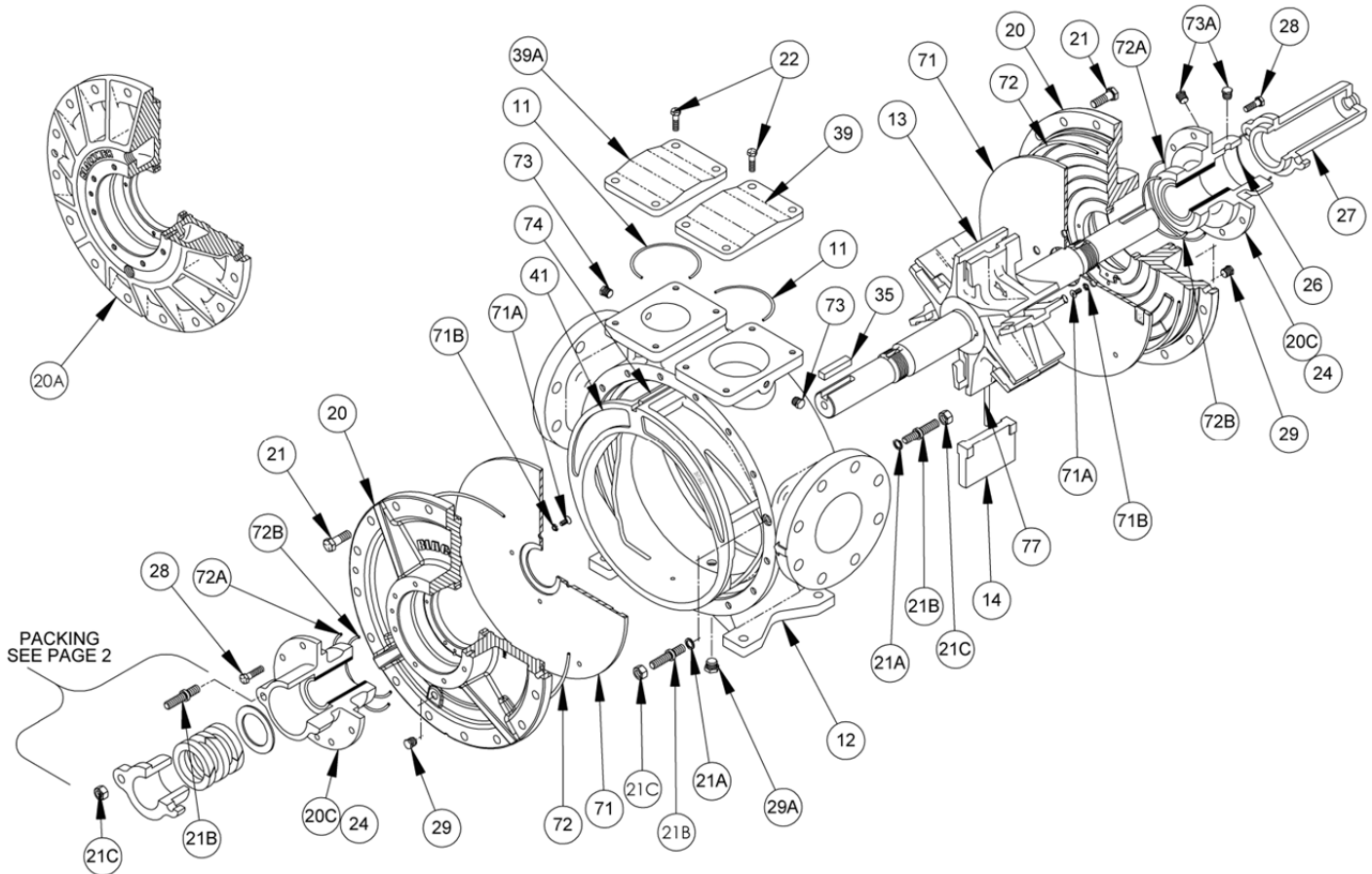
966912
Page 1 of 4

PARTS LIST
106-A02

Section 106
Effective Mar 2015
Replaces July 2013

Keep with Instructions 106-A00 for Installation, Operation and Maintenance

r150729



Ref. No.	Part Name	Parts Per Pump	Part No.	Ref. No.	Part Name	Parts Per Pump	Part No.
11	O-Ring – Blanking Plate/Valve (FKM)	2	² 701991	29	Drain Plug – Head	2	908198
	O-Ring – Blanking Plate/Valve (PTFE)		702066	29A	Drain Plug – Casing	1	908207
12	Casing – Flat Face Flanges	1	016900	35	Key – Shaft (3/8" square)	1	^{2,4} 909182
13	Rotor & Shaft (Std.)	1	³ 266905	39	Blanking Plate (Inlet)	1	496900
14	Vane – FS Laminate	6	² 096960	39A	Blanking Plate (Discharge)	1	496901
	Vane – EC Laminate		096961	41	Liner (Std. – MLN4B)	1	³ 186915
	Vane – EC Bronze		096967		Liner, Hardened		186916
	Vane – EC Hardened Ductile Iron		096965		Liner - Low Displacement (Std. – MRLN4B)		186917
20	Head (Std.)	2	036939		Liner - Low Displacement, Hardened		186918
20A	Jacketed Head	2	036919	71	Disc (Std.)	2	066902
20C	Hub & Bushing Assembly (Carbon)	2	036950		Disc, Hardened		066903
	Hub & Bushing Assembly (Bronze)		036953	71A	Machine Screw – Disc	8	920007
21	Capscrews – Head	28	920510	71B	Lockwasher – Disc	8	909622
21A	Gasket – Head Stud	4	701981	72	O-Ring – Head (FKM) (Std)	2	² 702058
21B	Stud – Head	4	921569		O-Ring – Head (PTFE)		702069
21C	Nut – Head Stud	4	922850	72A	O-Ring (Large) – Hub (FKM) (Std)	2	² 702059
21D	Capscrews – Hub	16	920331		O-Ring (Large) – Hub (PTFE)		702068
22	Capscrews – Blanking Plate/Valve	8	920457	72B	O-Ring (Small) – Hub (FKM) (Std)	2	² 702060
24	Bushing (Sleeve Bearing), Carbon (Std)	2	³ 166900		O-Ring (Small) – Hub (PTFE)		702065
	Bushing (Sleeve Bearing), Bronze		166901	73	Gage Plug	2	908198
26	O-Ring – Shaft Cover (FKM) (Std)	1	² 711930	73A	Plug – Hub	4	908198
	O-Ring – Shaft Cover (PTFE)		702064	74	Key – Liner	1	³ 186902
27	Shaft Cover (Outboard)	1	046902	77	Push Rod (MLN4B)	3	² 126901
28	Capscrews – Shaft Cover	2	920491		Push Rod (Low Displacement) (MRLN4B)		126902
				—	Kit – Maintenance - MLN4B only	—	899218
				—	Kit – Rebuild - MLN4B only	—	899118

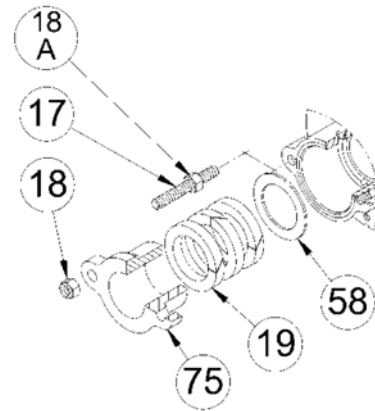
² Included in Maintenance and Rebuild Kits. ³ Included in Rebuild Kit. FS = Full Size EC = Extra Clearance

⁴ Maintenance & Rebuild Kits also include Woodruff Key 909136 used previously

STANDARD PACKING

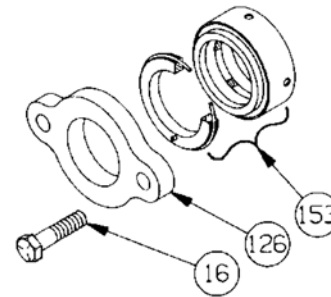
REF. NO.	PART NAME	PARTS PER PUMP	PART NO.
17	Packing Follower Stud	2	921580
18	Locknut – Stud	2	922420
18A	Removal Nut – Packing Follower	2	922850
19	Packing Set (Std.)	1	² 326900
58	Packing Washer	1	356905
75	Packing Follower	1	146905

² Included in Maintenance and Rebuild Kits



COMMERCIAL MECHANICAL SEAL – OPTIONAL

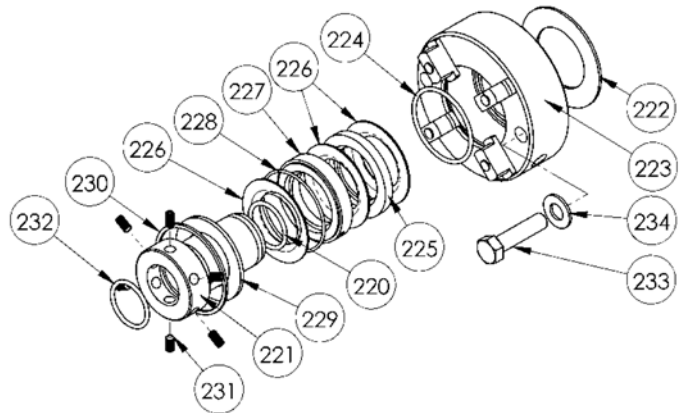
REF. NO.	PART NAME	PARTS PER PUMP	PART NO.
153	Single Mechanical Seal Asy. Crane Type 9 (59U)	1	337022
126	Seal Follower	1	146902
16	Capscrews – Seal Follower	2	920491



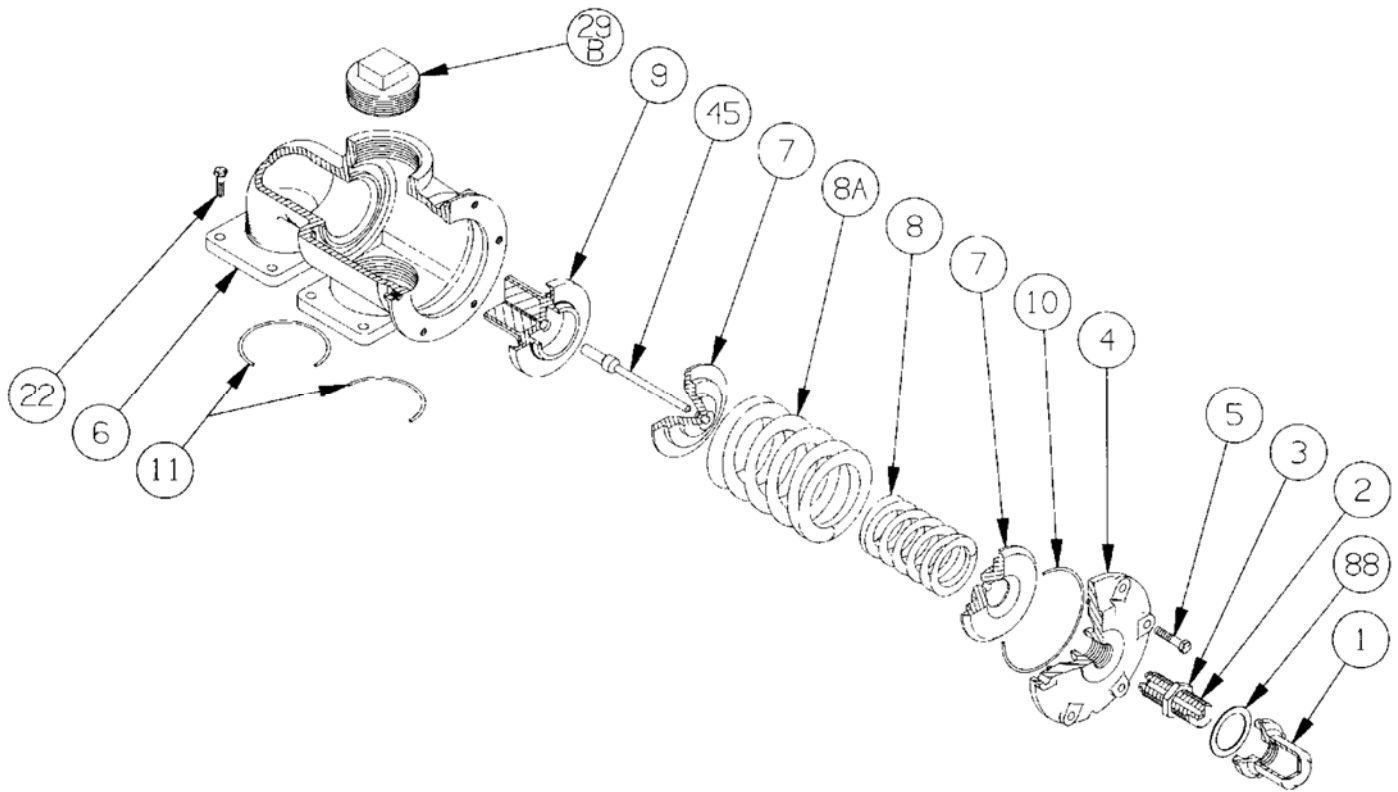
TRIPLE-LIP CARTRIDGE SEAL - OPTIONAL

Ref. No.	Part Name	Seal	Seal Rebuild Kit
—	TRIPLE-LIP CARTRIDGE SEAL	337003	899106
220	Shaft Sleeve O-Ring	1	X
221	Shaft Sleeve	1	
222	Gasket	1	X
223	Gland Plate Assembly	1	
224	Element O-Ring	1	X
225	Seal Spacer	1	X
226	Seal Element	3	X
227	Flushing Spacer	1	X
228	Flushing Spacer O-Ring	1	X
229	Retaining Ring	1	
230	Snap Ring	1	X
231	Shaft Sleeve Setscrews	6	X
232	Stepped Shaft Sleeve O-Ring	1	X
233	Gland Capscrew	2	
234	Flat Washer	2	

X = Parts included in Seal Rebuild Kit



OPTIONAL RELIEF VALVE



Ref. No.	Part Name	Parts Per Pump	Part No.	Ref. No.	Part Name	Parts Per Pump	Part No.
1	Cap – Relief Valve (R/V)	1	417710	9	Valve – R/V	1	456315
2	Adjusting Screw – R/V	1	437205	10	O-Ring – R/V Cover (FKM)	1	702059
3	Jam Nut – R/V	1	436655		O-Ring – R/V Cover (PTFE)		702068
4	Cover – R/V	1	416900	11	O-Ring – Blanking Plate/Valve (FKM)	2	701991
5	Capscrew – R/V Cover	6	920351		O-Ring – Blanking Plate/Valve (PTFE)		702066
6	Body – R/V	1	406900	22	Capscrews – Plate/Valve	8	920457
7	Spring Guide – R/V	2	426900	29B	Bypass Plug (3" NPT)	1	908226
8	Spring – R/V (45 – 75psi)	1	476900	45	Spring Guide Rod	1	426901
8A	Spring – R/V (76 – 125psi)	1	476904	88	Gasket – R/V Cap	1	536652
8	Springs – R/V (126 – 200psi)	1	476900				
8A	Use springs nested together	1	476904				

NOTES



1809 Century Avenue, Grand Rapids, Michigan 49503-1530, U.S.A.
Telephone: (616) 241-1611 / Fax: (616) 241-3752
E-Mail: blackmer@blackmer.com / Internet: www.blackmer.com

Parts List 106-A02
Page 4 of 4