

SALES & ENGINEERING DATA

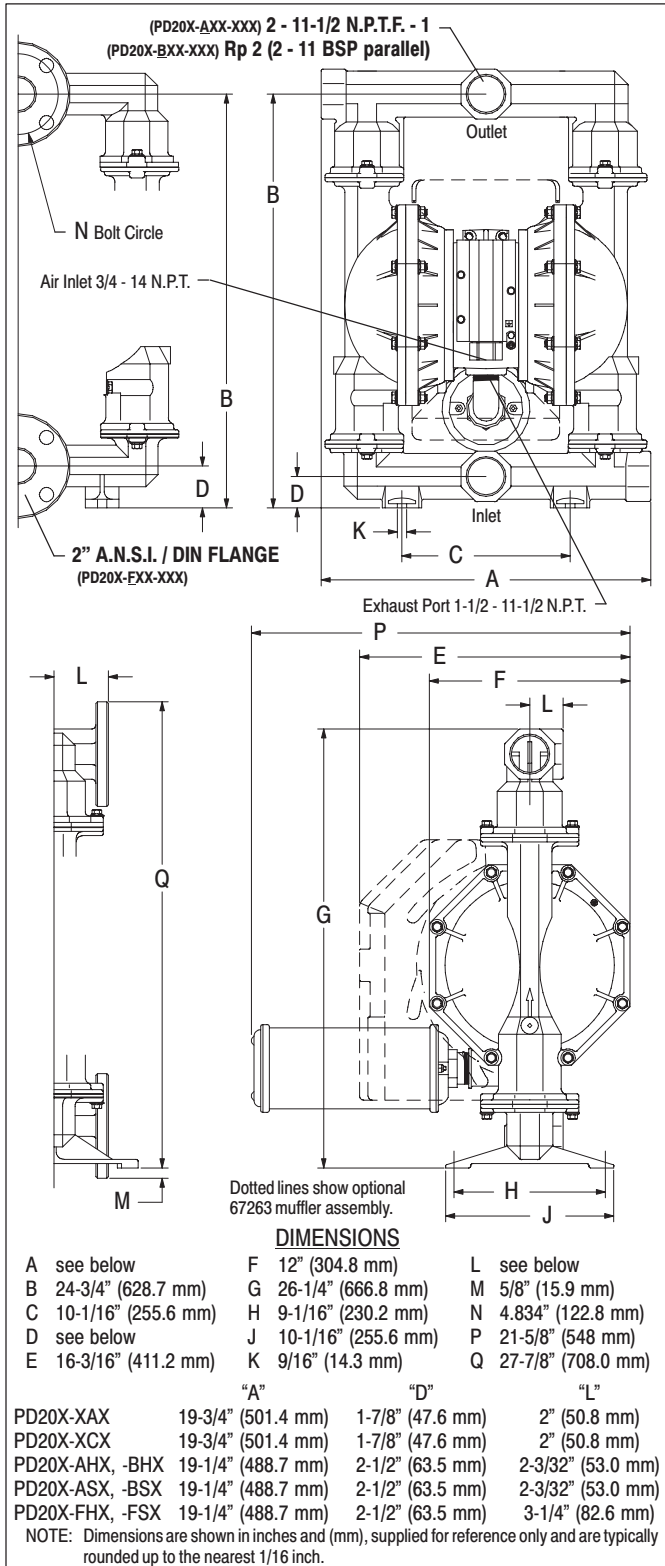
RATIO SERIES: **1:1**

FLUID P.S.I. RANGE: **20 - 120**

RELEASED: 7-2-96
 REVISED: 6-9-10
 (REV. 06) S-853

PD20X-XXX-XXX 2" METALLIC DIAPHRAGM PUMP

DIMENSIONAL DATA



SPECIFICATIONS

CONSTRUCTION

Model Series	PD20X-XXX-XXX
Pump Type	Metallic, Air Operated, Double Diaphragm
Ratio	1:1
Material Inlet / Outlet (female)	
PD20X-AXX-XXX	2 - 11-1/2 N.P.T.F. - 1
PD20X-BXX-XXX	Rp 2 (2 - 11 BSP parallel)
PD20X-FXX-XXX	2" A.N.S.I. / DIN Flange
Air Inlet (female)	3/4 - 14 N.P.T.F. - 1
Air Exhaust (female)	1-1/2 - 11-1/2 N.P.T.F. - 1
Weight	
PD20X-XAX-XXX	64 lbs (29 kgs)
PD20X-XCX-XXX	133 lbs (60 kgs)
PD20X-AHX-XXX, -BHX-XXX	122 lbs (55.3 kgs)
PD20X-ASX-XXX, -BSX-XXX	122 lbs (55.3 kgs)
PD20X-FHX-XXX, -FSX-XXX	114 lbs (51.7 kgs)
	(add 34 lbs [15 kgs] for stainless steel or cast iron air motor section)
Air Section Service Kit	637302
Fluid Section Service Kit	637309-XX

PD20X-XXX-X
637309 -
 Diaphragm Material
 Ball Material
 EXAMPLE: Model # PD20A-AAP-AAA
 Fluid Section Service Kit is 637309-AA

PERFORMANCE

Air Inlet Pressure Range	20 - 120 p.s.i. (1.4 - 8.3 bar)
Maximum Material Inlet Pressure	10 p.s.i. (0.69 bar)
Fluid Pressure Range	20 - 120 p.s.i. (1.4 - 8.3 bar)
Maximum Flow Rate (flooded inlet)	170 g.p.m. (644 l.p.m.)
Displacement / Cycle @ 100 p.s.i.	1.4 gal. (5.3 lit.)
Maximum Particle Size	1/4" dia. (6.4 mm)
Maximum Temperature Limits	
E.P.R. / EPDM	-60° to 280° F (-51° to 138° C)
Hytre [®]	-20° to 150° F (-29° to 66° C)
Neoprene	0° to 200° F (-18° to 93° C)
Nitrile	10° to 180° F (-12° to 82° C)
PVDF (Kynar [®])	10° to 200° F (-12° to 93° C)
Santoprene [®]	-40° to 225° F (-40° to 107° C)
PTFE	40° to 225° F (4° to 107° C)
Viton [®]	-40° to 350° F (-40° to 177° C)
Noise Level @ 70 p.s.i. - 60 c.p.m. ^①	85.0 db(A) ^②

① Tested with 67263 muffler assembly installed.
 ② The pump sound pressure level has been updated to an Equivalent Continuous Sound Level (L_{Aeq}) to meet the intent of ANSI S1. 13-1971, CAGI-PNEUROPS S5.1 using four microphone locations.

ACCESSORIES:

- 66312 Air Line Connection Kit
- 67263 Continuous Muffler
- 94117 Int. Muffler

INGERSOLL RAND COMPANY LTD

209 NORTH MAIN STREET - BRYAN, OHIO 43506

① (800) 495-0276 • FAX(800) 892-6276
 www.ingersollrandproducts.com

© 2010

CCN 15230485

ARO

IR Ingersoll Rand
 Industrial Technologies

PERFORMANCE CURVES

PD20X-XXX-XXX 2" METALLIC DIAPHRAGM PUMP

