

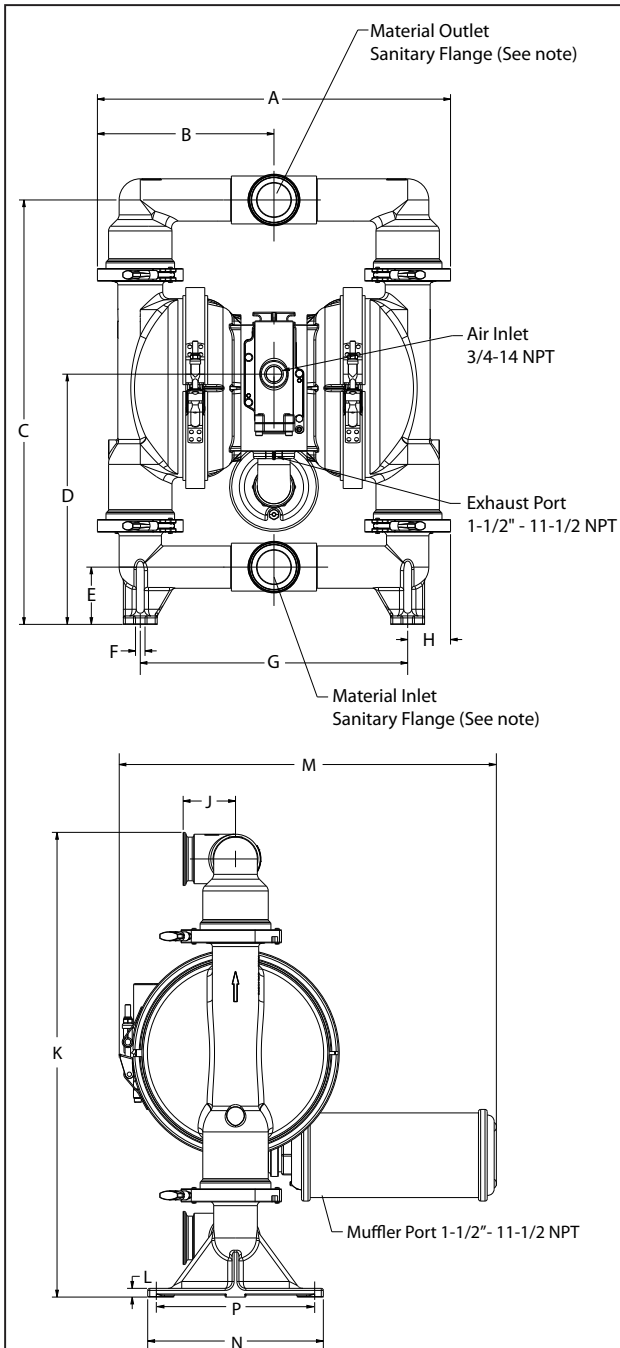
# SALES & ENGINEERING DATA

RATIO SERIES:	<b>1:1</b>
FLUID PSIG RANGE:	<b>20 - 120</b>

## SX20X-XXX-XXX-AXXXX 2" Metallic Diaphragm Pump

RELEASED: 11-28-14  
(REV. A) S-1565

### DIMENSIONAL DATA



#### DIMENSIONS

A - 20.88" (530.4 mm)	F - 0.56" (14.2 mm)	L - 0.50" (12.70 mm)
B - 10.44" (265.2 mm)	G - 15.81" (401.6 mm)	M - 21.60" (548.6 mm)
C - 25.1" (637.5 mm)	H - 2.53" (64.3 mm)	N - 10.06" (255.5 mm)
D - 14.80" (375.9 mm)	J - 3.00" (76.2 mm)	P - 9.06" (230.1 mm)
E - 3.38" (85.9 mm)	K - 26.62" (676.1 mm)	

NOTE: Dimensions are shown in inches and (mm) and are supplied for reference only.

NOTE: Sanitary Flange dimensions per ASME BPE-2012 2-1/2 inch and ISO 2852-1993 63.5mm.

### SPECIFICATIONS

Model Series	SX20X-XXX-XXX-AXXXX
Pump Type	Metallic, air operated, double diaphragm pump
Ratio	1:1
Weight	
SX20S-XXX-XXX-AXXXX	166.45 lbs (75.5 kgs)
Fluid Section Service Kit	637494-XX
Air Section Service Kit	637487
Major Air Valve Assembly Service Kit	637498

#### SX20X-XXX-XXX-AXXXX

Example: Models SD20S-CSS-S M M-A 637494-XX  
Fluid Section Service Kit # 637494-MM Ball  Diaphragm

#### PERFORMANCE

Maximum Air Inlet Pressure	120 psig (8.3 bar)
Maximum Material Inlet Pressure	10 psig (0.69 bar)
Maximum Outlet Pressure	120 psig (8.3 bar)
Maximum Flow Rate	195 gpm (738 lpm)
Displacement / Cycle @ 100 psig	1.3 gal. (4.9 lit.)
Maximum Particle Size	1/4" dia. (6.4 mm)
Maximum Temperature Limits (diaphragm / ball / seal / seat material)	
Santoprene®	-40° to 225° F (-40° to 107° C)
PTFE	40° to 225° F (4° to 107° C)
Noise Level @ 70 psig - 60 cpm	82.5 dB(A)①

① The pump sound pressure level has been updated to an Equivalent Continuous Sound Level (LAeq) to meet the intent of ANSI S1.13-1971, CAGI-PNEUROP S5.1 using four microphone locations.

# PERFORMANCE CURVES

## SX20X-XXX-XXX-AXXXX 2" METALLIC DIAPHRAGM PUMP

