

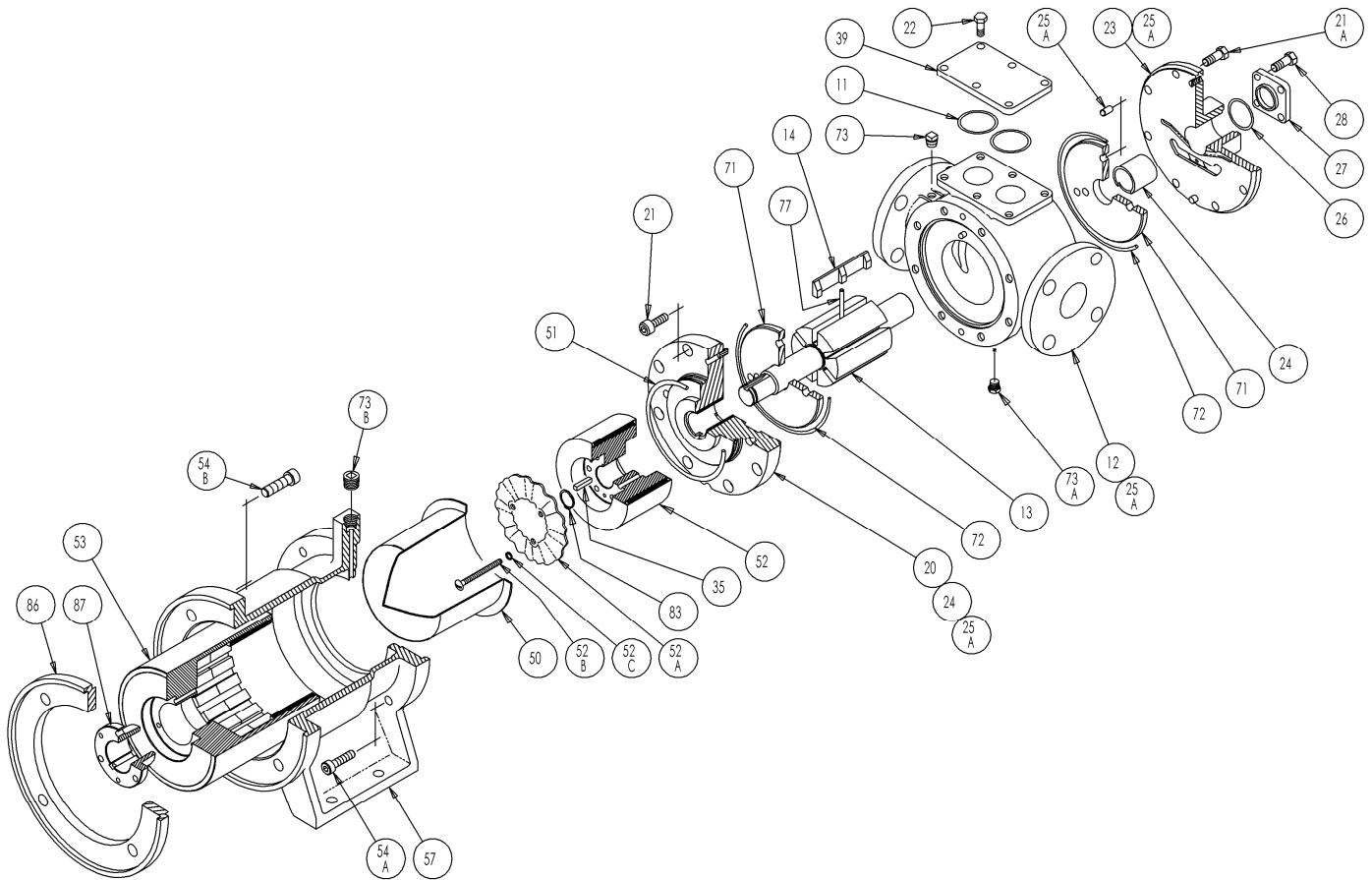
BLACKMER PARTS LIST

Models: SMVP50C, SMVP100C

(Keep with Instructions 108-B00 for Installation, Operation and Maintenance)

964701 **PARTS LIST**
Page 1 of 2 **108-B02**

Section 108
Effective July 2015
Replaces June 2015



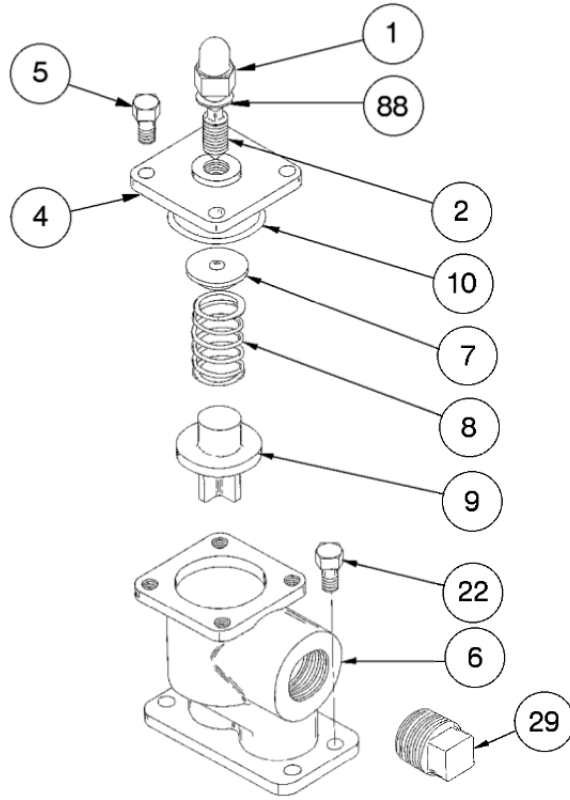
| Ref. No. | Description | Parts per Pump | 50 Part No. | 100 Part No. | Ref. No. | Description | Parts per Pump | 50 Part No. | 100 Part No. |
|----------|-----------------------------------|----------------|---------------------|---------------------|----------|--|----------------|---------------------|---------------------|
| 11 | Seal Ring - Blanking Plate (PTFE) | 2 | 533811 | 533811 | 53 | Outer Magnet | 1 | See Back | See Back |
| 12 | Cylinder | 1 | 023701 | 024701 | 54A | Capscrews - Housing/Head | 4 | 920371 | 920371 |
| 13 | Rotor & Shaft | 1 | ² 263700 | ² 264700 | 54B | Capscrews - Housing/Motor 182-184TC, 213-215TC Frame | 4 | 920536 | 920536 |
| 14 | Vane - Duravane | 6 | ¹ 091405 | ¹ 094700 | | Capscrews - Housing/Motor 254-256TC Frame | | 920554 | 920554 |
| 20 | Inboard Head & Bearing Asy. | 1 | 033700 | 033700 | 57 | Magnet Housing | 1 | 681427 | 681427 |
| 21 | Capscrews - Inboard Head | 8 | 920338 | 920338 | 71 | Disc - Chem Disc | 2 | ² 064700 | ² 064700 |
| 21A | Capscrews - Outboard Head | 8 | 920335 | 920335 | 72 | Seal Ring - Head (PTFE) | 2 | ¹ 383801 | ¹ 383801 |
| 22 | Capscrews - Blanking Plate | 6 | 920179 | 920179 | 73 | Gauge Plug (1/4" NPT) | 2 | 908193 | 908193 |
| 23 | Outboard Head & Bearing Asy. | 1 | 033804 | 033804 | 73A | Drain Plug (SAE #6) w/ PTFE O-Ring | 2 | 908213 | 908213 |
| 24 | Sleeve Bearing | 2 | ¹ 161402 | ¹ 161402 | 73B | Plug - Housing (1/2" NPT) | 1 | 908217 | 908217 |
| 25A | Dowel Pin | 6 | 930564 | 930564 | 77 | Push Rod | 3 | ¹ 123700 | ¹ 123700 |
| 26 | Seal Ring - Bearing Cover (PTFE) | 1 | ¹ 711957 | ¹ 711957 | 83 | Snap Ring | 1 | ¹ 903598 | ¹ 903598 |
| 27 | Bearing Cover | 1 | 043101 | 043101 | 86 | Motor Adapter 182-215TC | 1 | 831406 | 831406 |
| 28 | Capscrews - Bearing Cover | 4 | 920129 | 920129 | | Motor Adapter 254-256TC | 2 | 831406 | 831406 |
| 35 | Key - Shaft | 1 | ¹ 909197 | ¹ 909197 | 87 | Bushing - Outer Magnet | 1 | See Back | See Back |
| 39 | Blanking Plate | 1 | 493801 | 493801 | — | Warning Label - Magnet Housing | 1 | 909504 | 909504 |
| 50 | Containment Can | 1 | 681471 | 681471 | — | Kit — Maintenance | — | 898940 | 898941 |
| 51 | O-Ring - Containment Can (PTFE) | 1 | ¹ 702083 | ¹ 702083 | — | Kit — Rebuild | — | 899040 | 899041 |
| 52 | Inner Magnet | 1 | See Back | See Back | | | | | |
| 52A | Impeller | 1 | 684502 | 684502 | | | | | |
| 52B | Capscrew - Impeller | 3 | 920021 | 920021 | | | | | |
| 52C | Lockwasher - Impeller | 3 | 909530 | 909530 | | | | | |

¹ Included in Maintenance Kit and Rebuild Kit

² Included in Rebuild Kit

RELIEF VALVE - OPTIONAL

| Ref. No. | Part Name | Parts Per Pump | Part No. |
|----------|--------------------------------|----------------|----------|
| 1 | Cap - Relief Valve (R/V) | 1 | 413151 |
| 2 | Adjusting Screw - R/V | 1 | 433101 |
| 4 | Cover - R/V | 1 | 413801 |
| 5 | Capscrews - R/V Cover | 4 | 920129 |
| 6 | Body - R/V | 1 | 403801 |
| 7 | Spring Guide - R/V | 1 | 423101 |
| 8 | Spring - R/V (51-75 psi)(Std.) | 1 | 471418 |
| | Spring - R/V (76-100 psi) | | 471427 |
| | Spring - R/V (101-150 psi) | | 471429 |
| 9 | Valve - R/V | 1 | 453803 |
| 10 | O-Ring - R/V Cover (PTFE) | 1 | 533801 |
| 22 | Capscrews - R/V Body | 6 | 920179 |
| 29 | Plug (1-1/4") | 1 | 908244 |
| 88 | Gasket - R/V Cap | 1 | 533101 |



MAGNET OPTIONS

| Ref. No. | Part Name | Parts Per Pump | Part No. |
|----------|-----------------------------|----------------|----------|
| 52 | Inner Magnet - MC60 | 1 | 681463 |
| 53 | Outer Magnet - MC60 | 1 | 681474 |
| | 182-184TC Frame | | |
| | 213-215TC Frame | | |
| 87 | Bushing Outer Magnet - MC60 | 1 | 902451 |
| | 182-184TC Frame | | 902453 |
| | 213-215TC Frame | | 902468 |
| | Bushing Outer Magnet - MC60 | | 902468 |
| | 254TC Frame - Includes Key | | |

